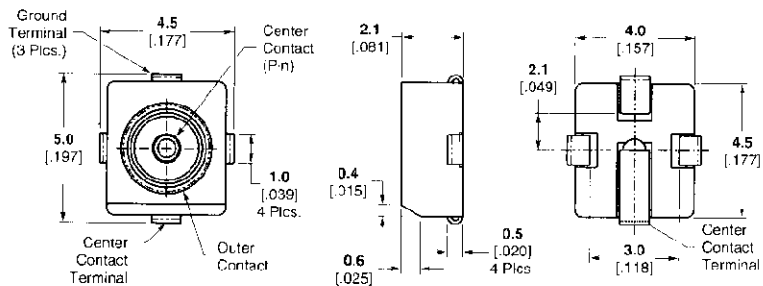
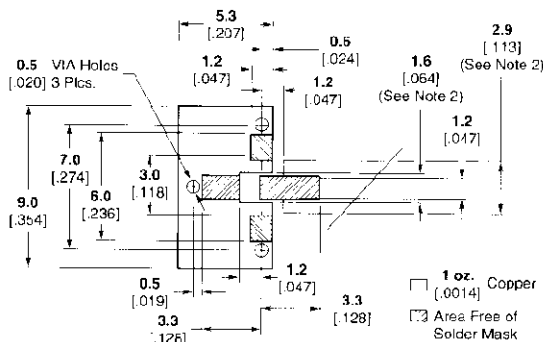


SSMT Surface Mount Interconnect System (Continued)

Straight SMT PCB Mount Plug Receptacle



Packaging	Quantity	M/A-COM Model No.	Part No.
Bulk	Multiple of 100	2367-0000-54	1251802-1
178 7.0 Dia. Taping	800 pcs/reel	2367-5001-54	1083946-1
330 13.3 Dia. Taping	3000 pcs/reel	2367-5002-54	1055689-1

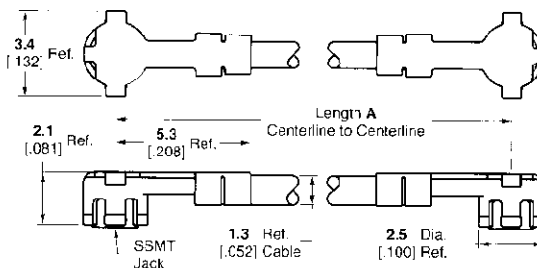


- Notes:
1. Printed wiring board material: glass epoxy, FR-4 or similar, relative permittivity: 4.8; 1 oz. copper clad both sides.
 2. These dimensions valid for 1.6 [0.062] board thickness.

Recommended Mounting Pattern for Microstrip Line

Right Angle Jack to Jack Cable Assembly

Assembly Length (A)	M/A-COM Model No.	Part No.
100 [4.0]	9960-1100-24	1044764-1
200 [8.0]	9960-1200-24	1064530-1
305 [12.0]	9960-1304-24	1064533-1



- Notes:
1. Consult AMP for non-standard cable lengths.
Length A Tolerances:
Length A Tolerance
50 To 100 [3.94] ± 3 [± .12]
101 To 500 [3.98 to 19.69] ± 5 [± .20]
Over 500 [19.69] ± 10 [± .39]
 2. Connector centerlines align ±30° as shown for lengths of 165 [6.5] or less. Cable assemblies over 165 [6.5] have randomly aligned connectors.
 3. SSM[™] Jack is not mateable with OSM[™] High Retention plug receptacle (1055690-1)